

CE

24V/2W IP40

TSA-03

Made in Germany

U = 24 V ±10%
P ~ 2 W
I_{max} ~ 184 mA
I_N ~ 84 mA
CE IP 40 □
-5°C 60°C
F ~ 90 N
Typ: TSA 03 ▣

CE

230V/2W IP40

TSA-03

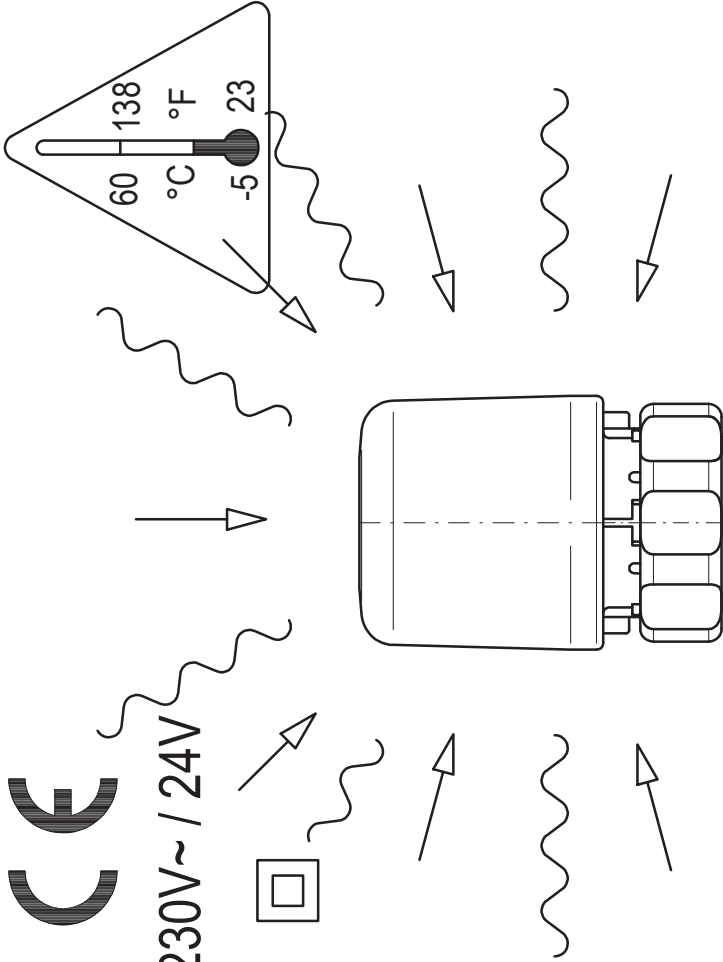
Made in Germany

U = 230 V ~ ±10%
P ~ 2 W
I_{max} ~ 140 mA
I_N ~ 9 mA
CE IP 40 □
-5°C 60°C
F ~ 90 N
Typ: TSA 03 ▣

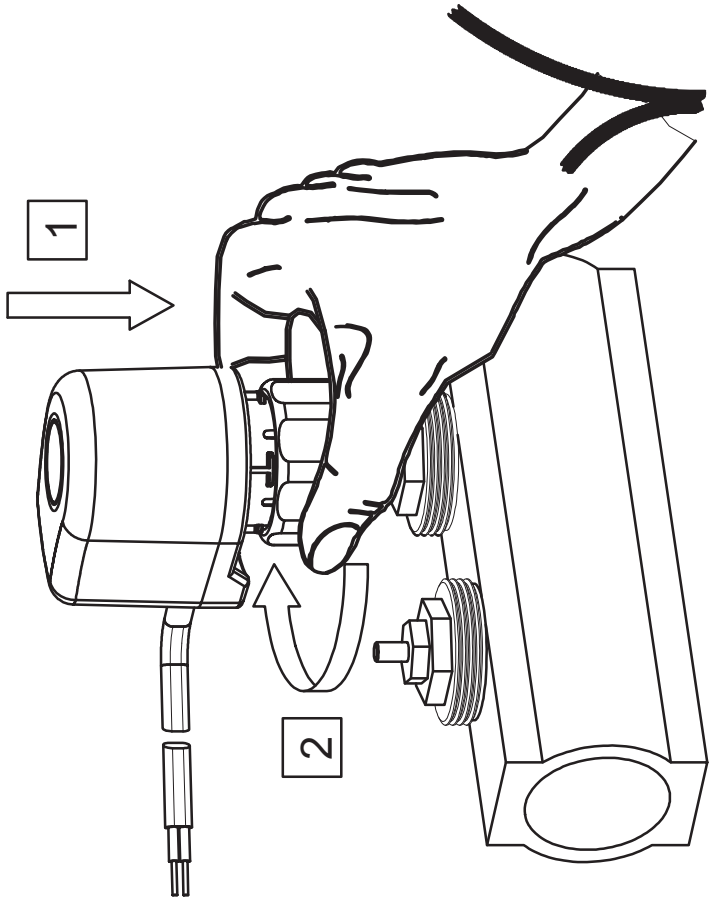
1

CE

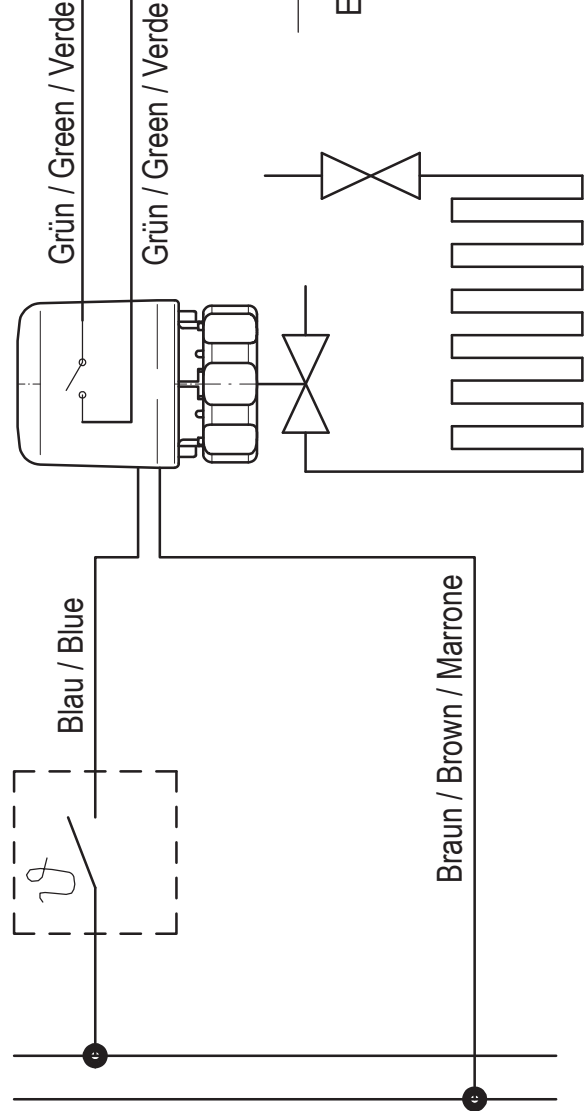
230V~ / 24V



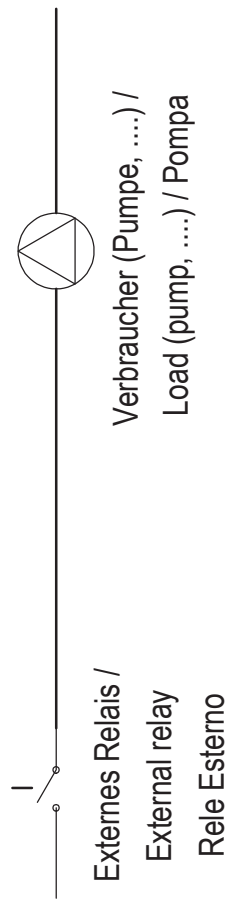
2



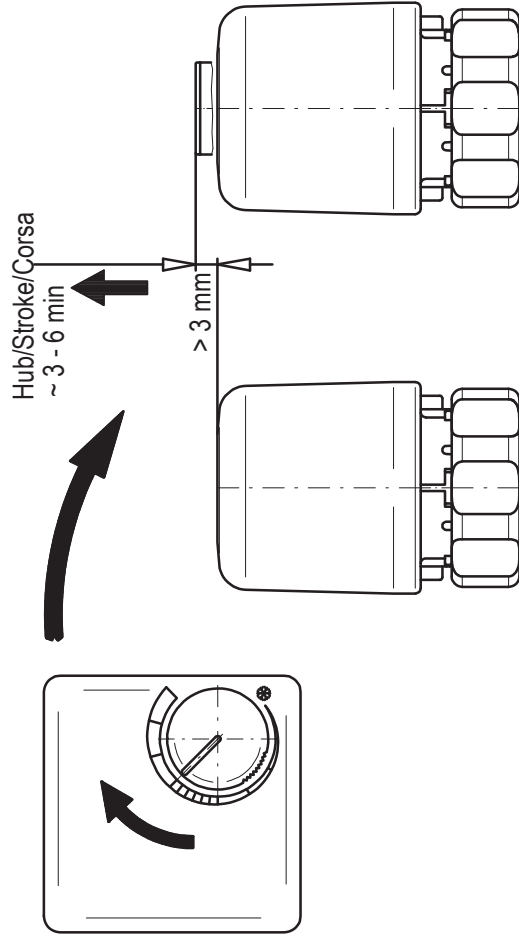
3



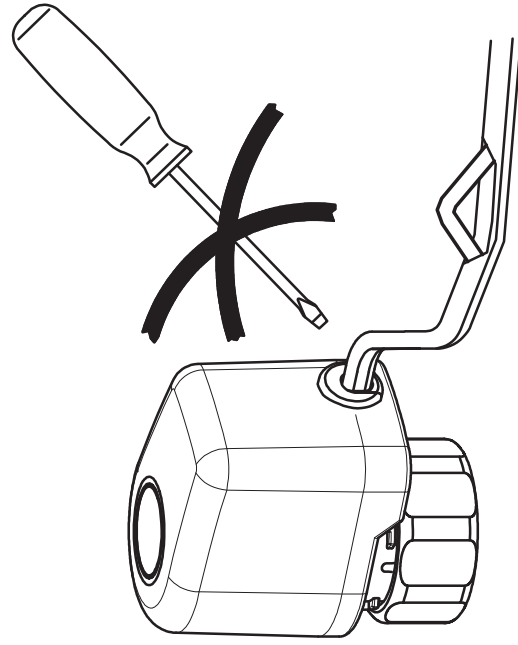
230V~ max. 6 A
24V~ max. 6 A
24V= max. 2 A



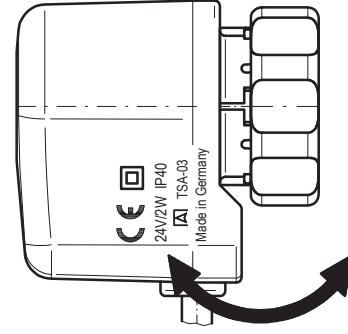
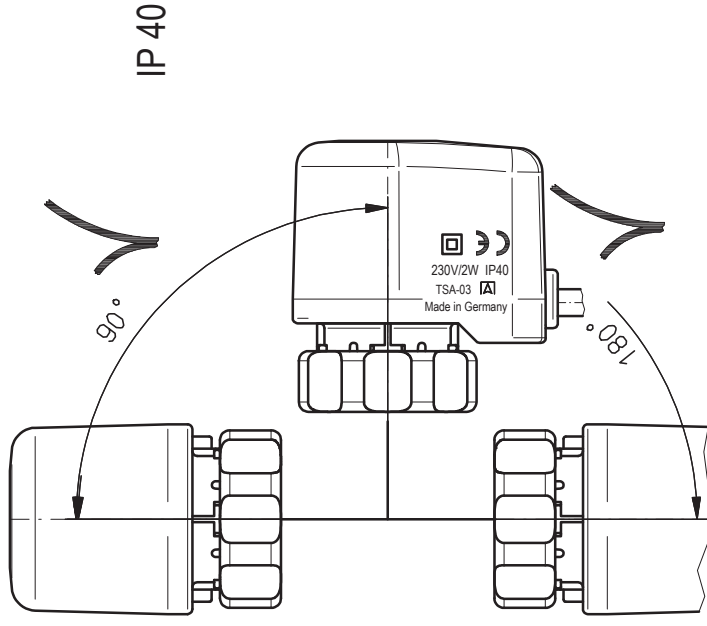
4



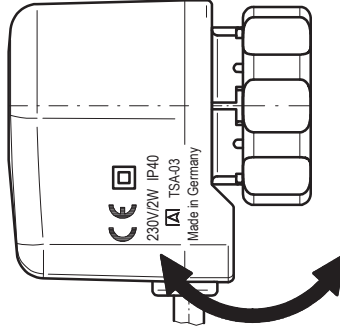
5



6



U = 24 V ±10%
P ~ 2 W
I_{max} ~ 184 mA
I_N ~ 84 mA
CE IP 40
-5°C ... 60°C
F ~ 90 N
Typ: TSA 03



U = 230 V ~ ±10%
P ~ 2 W
I_{max} ~ 140 mA
I_N ~ 9 mA
CE IP 40
-5°C ... 60°C
F ~ 90 N
Typ: TSA 03